

IMMACULATE CONCEPTION

Parish Cemetery



Rules & Regulations

4/16/10
(Rev. 9/30/15)
(Rev. 1/1/2021)
(Rev. 10/01/2022)

GENERAL RULES

1. No lot shall be used for any other purpose than a place of burial for human remains.
2. A vault or concrete box is required for all burials. Cremains must be in an urn (vault not required).
3. No lot shall be sold by Immaculate Conception Cemetery on credit without prior approval of the cemetery management.
4. After an interment has been made, no lot or any part thereof shall be sold or conveyed by the owner, nor shall such owner permit interments in such lot for remuneration, without consent of the cemetery management.
5. After the first interment, no further interment shall be allowed on any lot against which there are UNPAID CHARGES. If one year after the purchase of the lot, the cost is not paid in full, the purchaser forfeits his rights and such lot shall revert to Immaculate Conception Cemetery. Unoccupied fractions of lots will be taken care of by the cemetery after the death of all owners and heirs.
6. Tombstones or monuments shall not be erected on any lot until payment of said lot has been made in full. Lot owners shall have the right to erect tombstones, monuments, or other structures (except footstones) on their respective lots, all of which shall be properly set on a masonry foundation. Should any inscription, effigy, or structure be deemed unfitting or incompatible with the Catholic character of the cemetery, it shall be lawful for the cemetery management to prohibit the erection of such monument, or if erected, to order same removed at the expense of the owner.
7. All workmen employed in the installation of vaults, monuments, landmarks, etc. are subject to the control and direction of the superintendent of the cemetery. Any workman failing to comply with this rule will not be permitted to work on the grounds and shall be refused admission to the cemetery. Any outside contractors doing work shall be bonded and a current certificate of insurance must be on file in the parish office.
8. All graves shall be dug and all excavation for foundations and masonry work for same shall be executed by the superintendent of the cemetery, employees, or contractors.
9. Heavy loads shall not be allowed to enter the cemetery without permission of the superintendent.
10. No burial shall take place without permission granted by the Pastor of Immaculate Conception Church or his representative.
11. Unbecoming behavior, dress and language are not to be tolerated. No alcoholic beverages are permitted on the cemetery property. Children under age 16 should always be in the company of adults while on the cemetery property. Pets may not be brought on the cemetery property. Loitering and boisterous demonstration or improper assemblages are not permitted within the cemetery grounds.
12. The cemetery reserves the right to refuse admission to, or the use of its facilities at any time, to any person or persons, as its rules, judgment and traditions may dictate.
13. Cemetery property (statues, trees, shrubs, signs, etc.) shall not be decorated in any manner without prior approval by cemetery management.
14. No licenses, right, or privilege of burial shall, in any manner be assignable or transferable, in whole or in part, without the written consent of the Pastor of said cemetery first endorsed upon the instrument of granting such license, right or privilege.
15. A license of burial does not transfer ownership of the ground.

16. Anyone who infringes on the above rules shall lose all right of burial on said lot, and, if expedient, shall be prosecuted by the law.
17. The right is hereby reserved to make such reasonable additional rules and changes to existing rules from time to time as are calculated to work for the benefit of the cemetery without prior notice.

GRAVE LOT AND OTHER REGULATIONS

SELECTION

Grave lots may be randomly selected where available in all sections except for the Saint John's NW Section. Random purchase of grave lots will not be allowed in this section. For Saint John's NW Section, each lot in a row must be purchased before any additional row becomes available. A vault or concrete box is required for all burials except for cremains. Three containers of cremains (ashes) will be permitted for burial in one grave. Ownership, location, row and lot number will be recorded in cemetery records.

GRAVE LOTS

Dimensions – Double Lot

Eight (8) feet in width – Twelve (12) feet in length

Single Lot

Four (4) feet in width – Twelve (12) feet in length

Cremains Lot

Three (3) feet in width – Eight (8) feet in length

FOOTINGS

All grave monuments and markers require a foundation (footing) – see attached drawing. Excavation will meet the requirement stated herein. The excavator will be responsible for excavating, forming, pouring and finishing the footing. The added cost will be included in the cost of the monument or as negotiated by the lot owner.

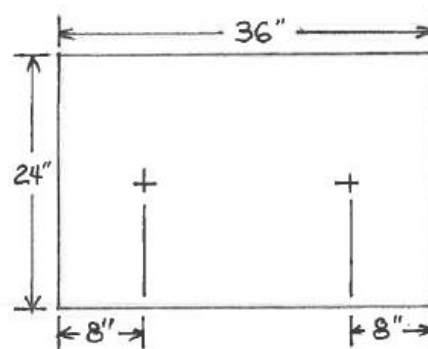
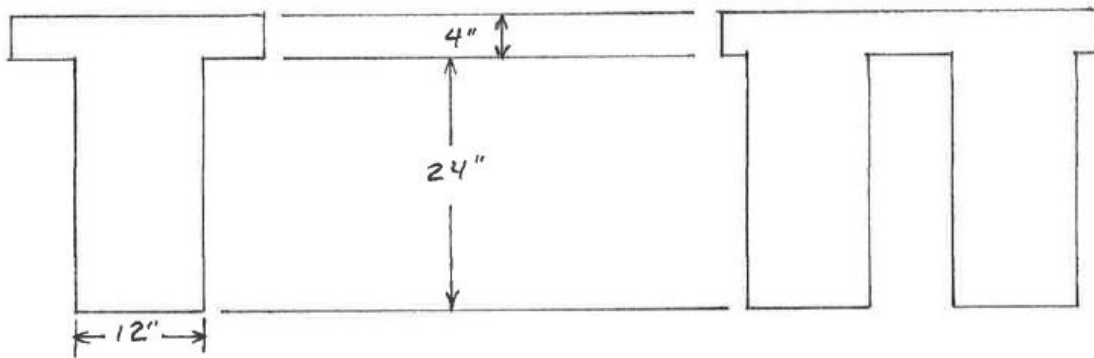
Foundations must be constructed as to allow a six-inch grass border on all sides of the stone. All foundations will be placed into the ground to a minimum depth of two (2) feet and level with the ground. Footstones are not permitted.

For St. John's NW section, the footing is included in the cost of the lot.

Included footings for the Cremains Section will be a continuous pour with three (3) foot cut separations.

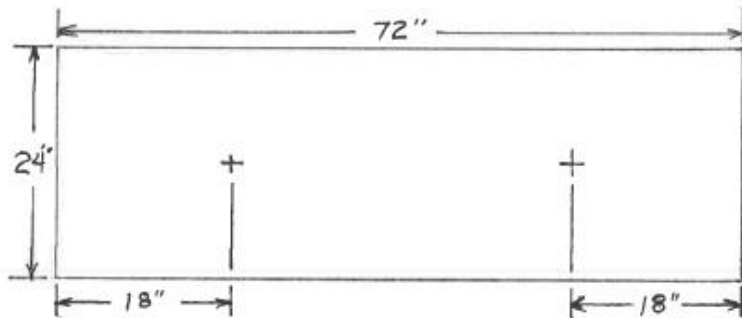
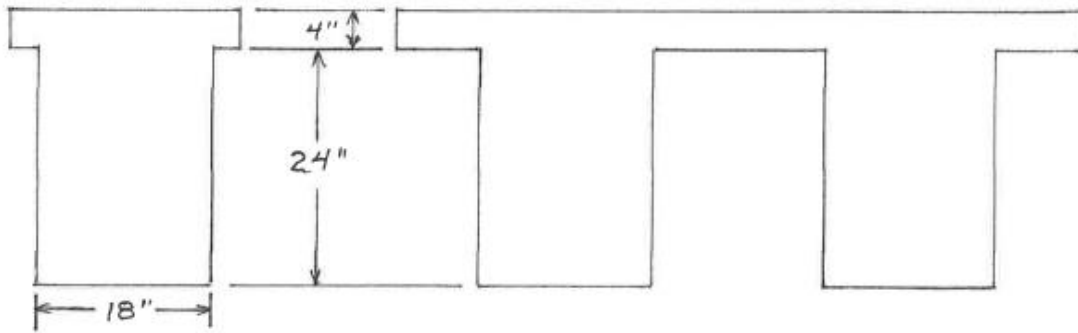
FOOTING FOR SINGLE LOT MONUMENTS

The base shall be 24 inches by 36 inches (depth x width) and a minimum of 4 inches thick. There will be at least 2 piers on center spaced 8 inches from either end of the footing with a diameter of 12 inches by 24 inches deep.



FOOTING FOR DOUBLE LOT MONUMENTS

The base shall be 24 inches by 72 inches (depth x width) and a minimum of 4 inches thick. There will be at least 2 piers on center spaced 18 inches from either end of the footing with a diameter of 18 inches by 24 inches deep.



MONUMENT MARKERS

Due to the undulating ground contour of our Cemetery and previous visual deterioration of the older monuments, certain restrictions and regulations are in order:

1. Monuments plus base stone shall not exceed 24 inches in height. This height helps prevent headstone damage when excavating an adjacent grave. Stone width should be no more than 24 inches for the cremains section.
2. The only material allowed for monuments is granite, and for markers is bronze.
3. Monuments including vases and/or plaques which extend beyond the footings are unacceptable and will not be allowed. SINGLE footings are 24 inches by 36 inches and DOUBLE footings are 24 inches by 72 inches.
4. All markers will be set at the head (back line) of the grave space.
5. There will be one marker allowed per grave lot.
6. Child burials (on existing grave) should be at the head of the grave.
7. Iron crosses, wooden crosses, concrete, stone, or iron enclosures of graves or lots, footstones, kneelers, statues, eternal lights, etc. are not allowed in the cemetery.
8. Monument markers with niches are allowed if they meet dimensional requirements.

WE RESERVE THE RIGHT TO REJECT ANY STONE WHICH WE FEEL IS NOT PROPER. WORMKEN ARE SUBJECT TO THE CONTROL AND DIRECTION OF THE SUPERINTENDENT.

MILITARY PLAQUES

The setting of military plaques awarded to veterans will have the following options:

1. The plaque may be positioned and attached to the backside of the monument or held in escrow until one is set.
2. Additional excavation to a depth of six (6) inches located in the front and center of the monument footing to adequately accommodate the dimensions of the plaque.
3. Should the military plaque be the sole marker or monument, the excavation shall adequately accommodate the dimensions of the plaque, plus two (2) inches around its entire periphery to a depth of twelve (12) inches.

FLOWERS

All flowers must be placed at the head of the grave next to the marker/monument or in vases on either side or in holders above the monument. Glass containers and metal cans are forbidden as well as wire pins and wooden stakes to hold flowers and containers. Grave blankets are prohibited, also.

Flowers that are faded and overgrown will be removed to facilitate grass trimming and improve the cemetery appearance. Burial flowers will be removed within ten days of interment.

No shrubs, trees or other live plants are allowed on any lot. Shepherd's hooks are strictly forbidden.

GRAVE SITE MAINTENANCE

1. Additional backfilling of graves will be performed as warranted and weather permits.
2. Reseeding of graves will be performed in the spring and fall as these are the optimum times for germination.
3. Sodding of graves is permissible at the individual's expense. Maintenance personnel should be notified as to installation so that watering arrangements may be made.